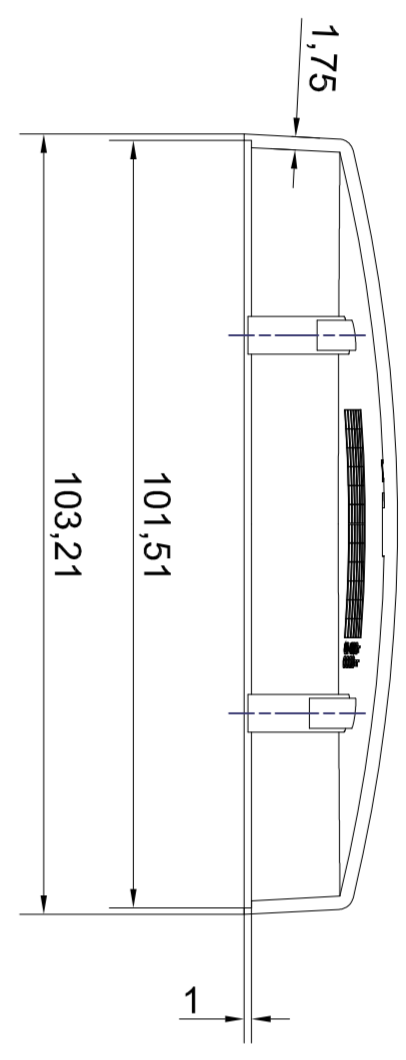
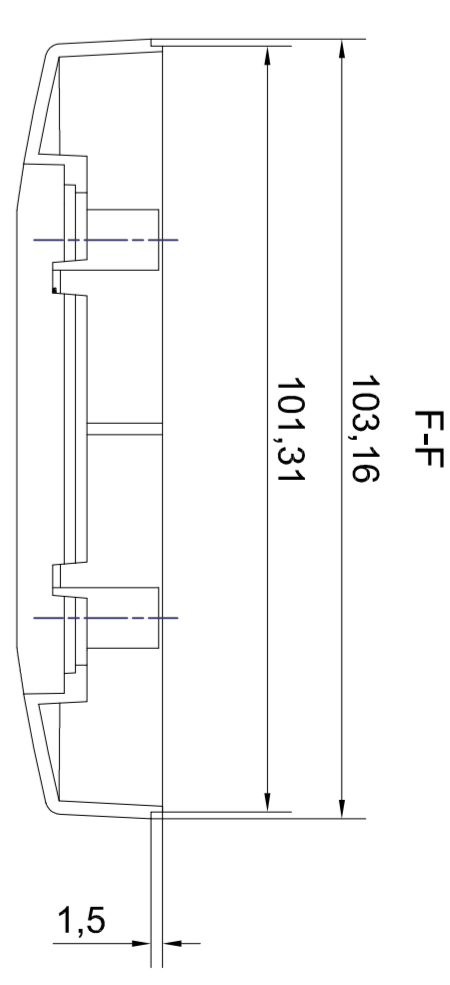


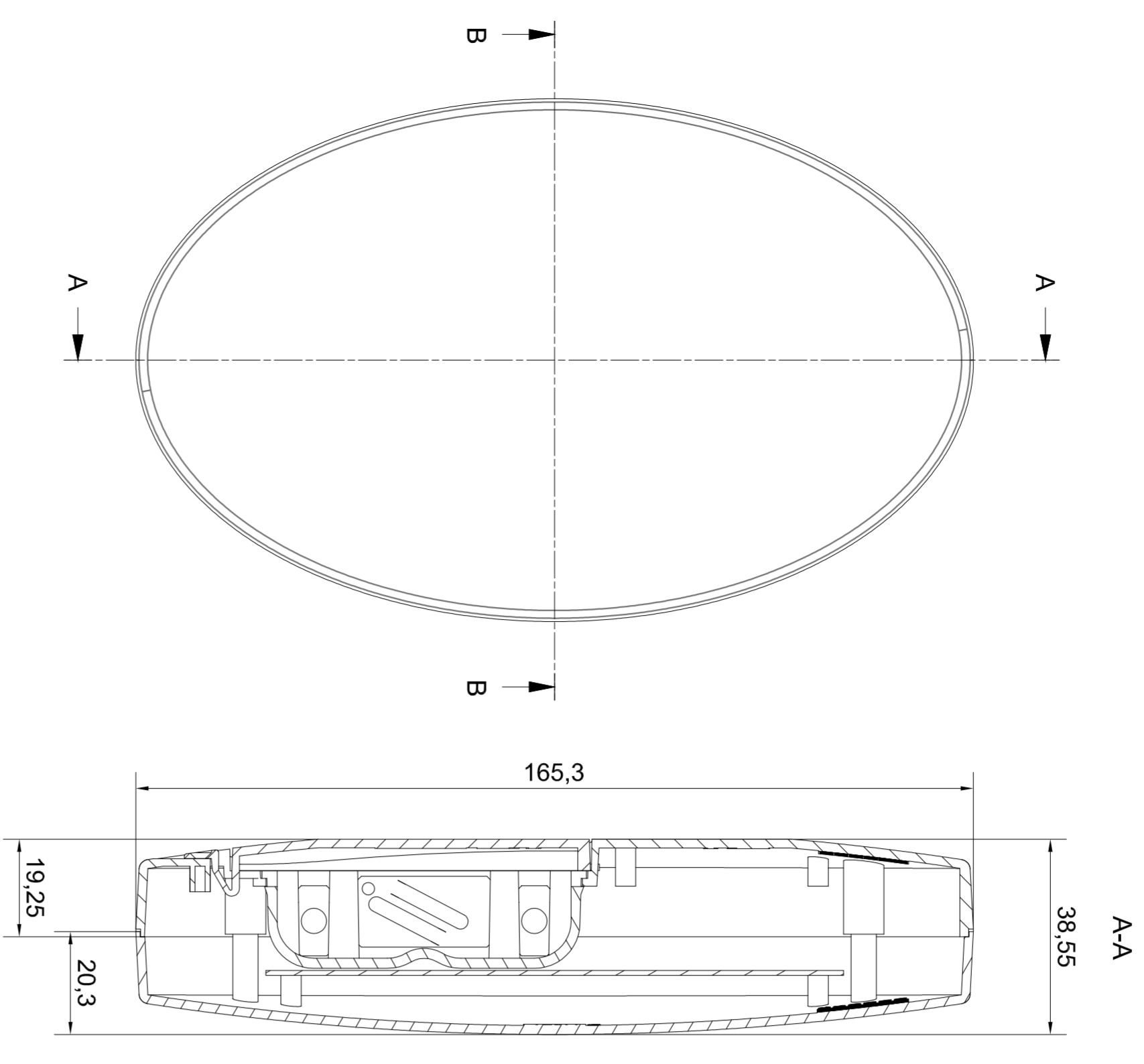
B-B



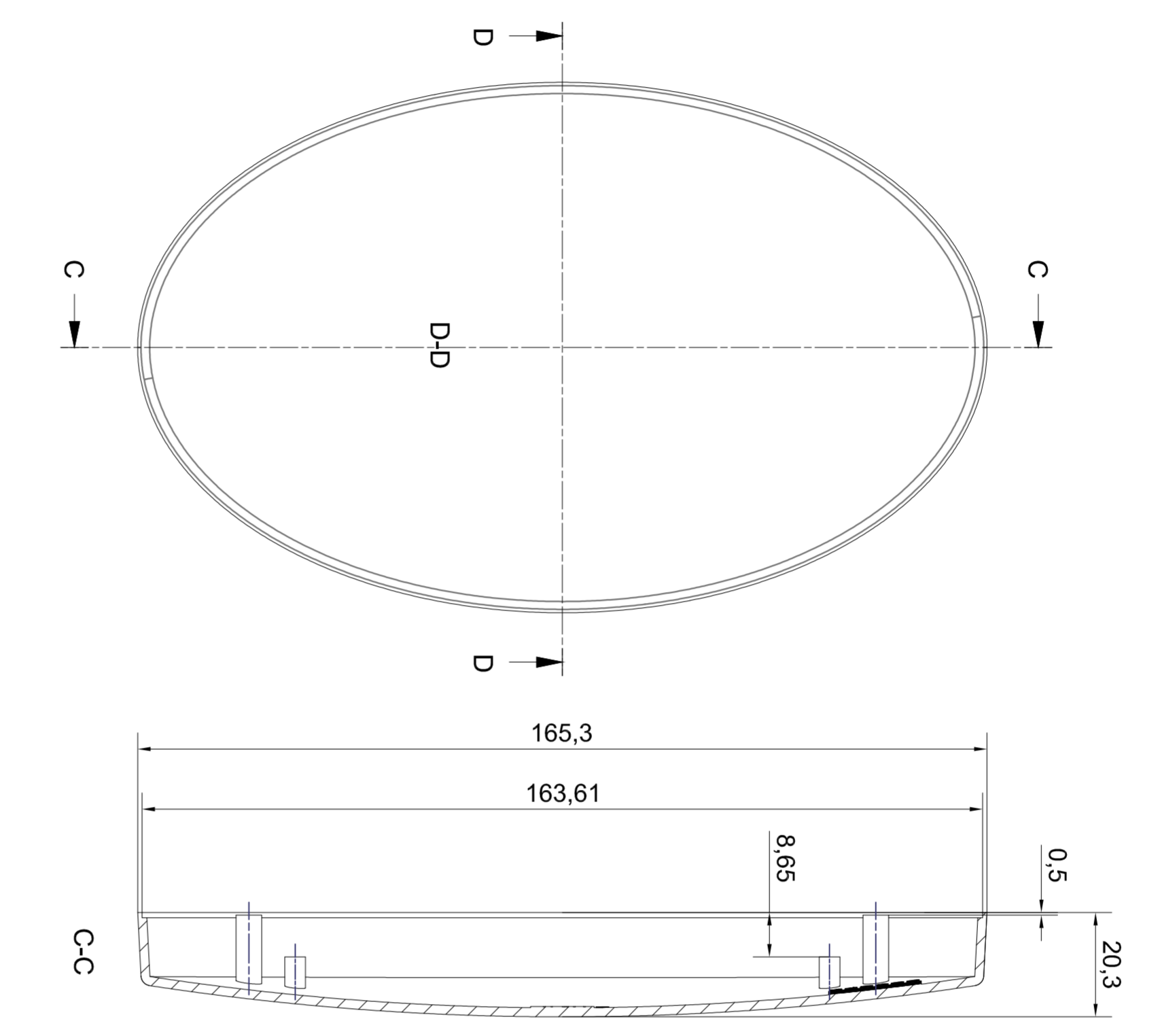
1



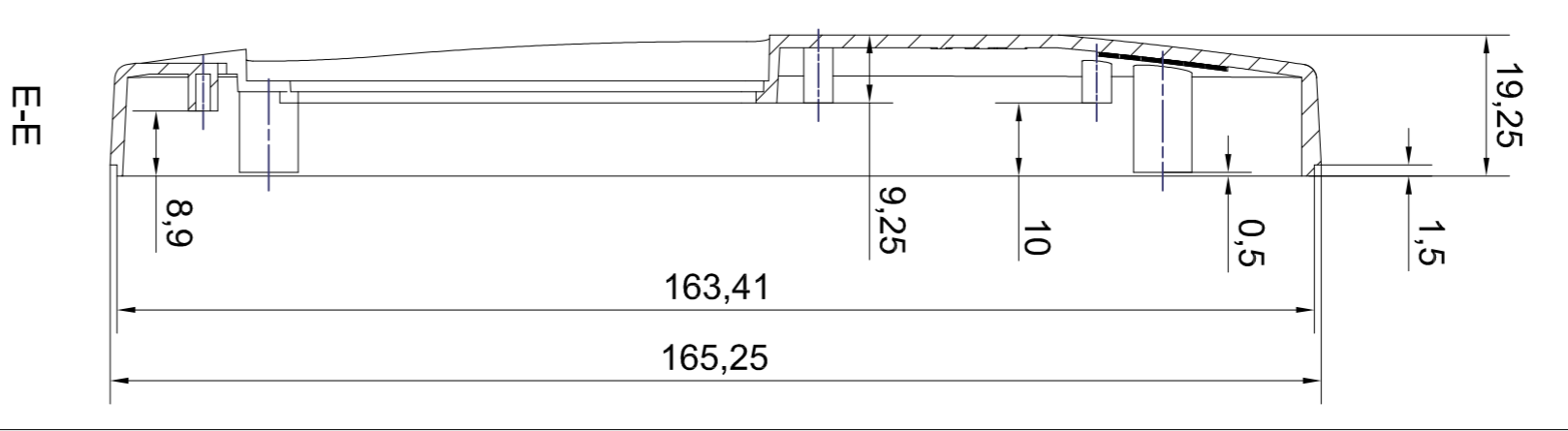
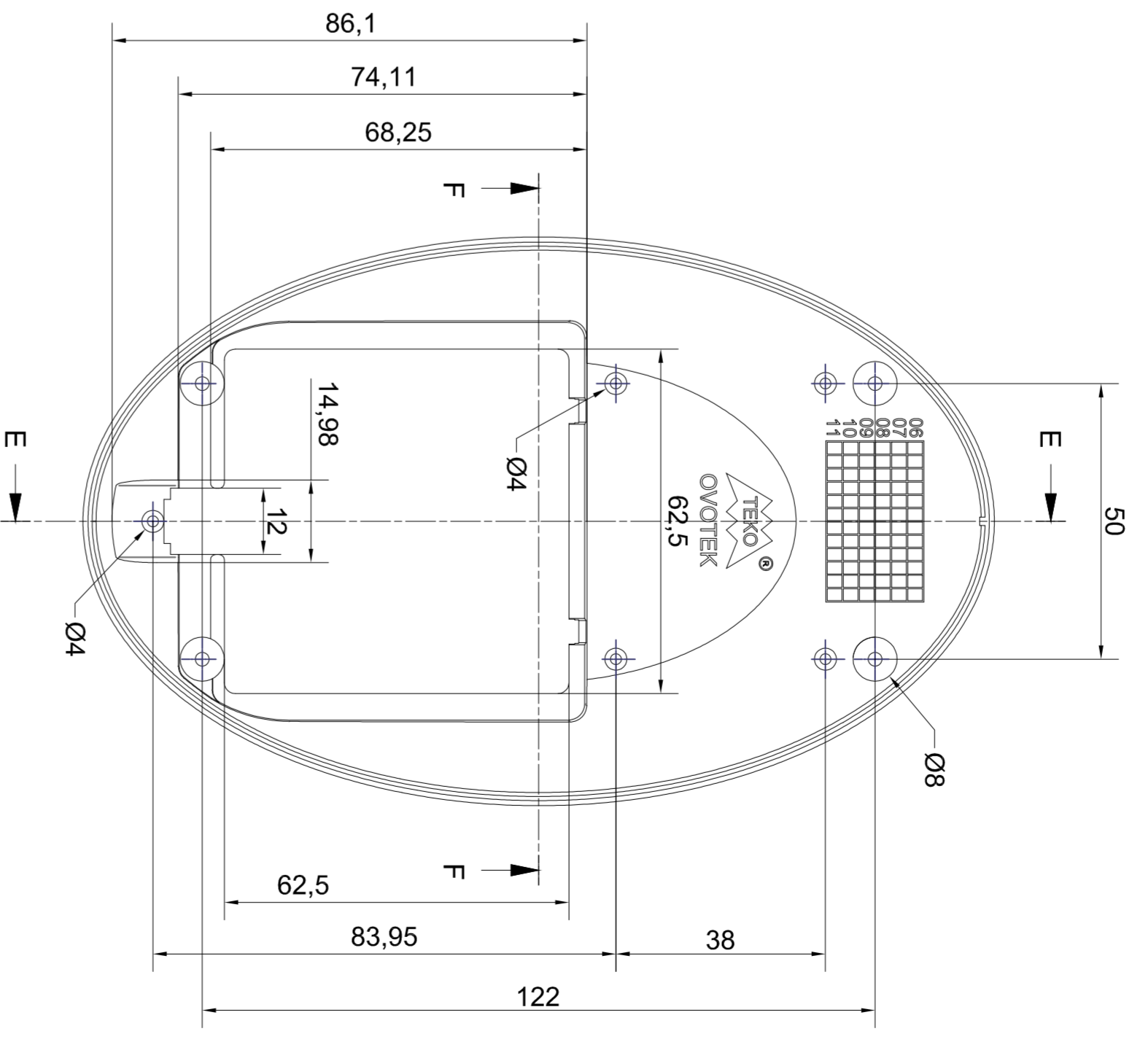
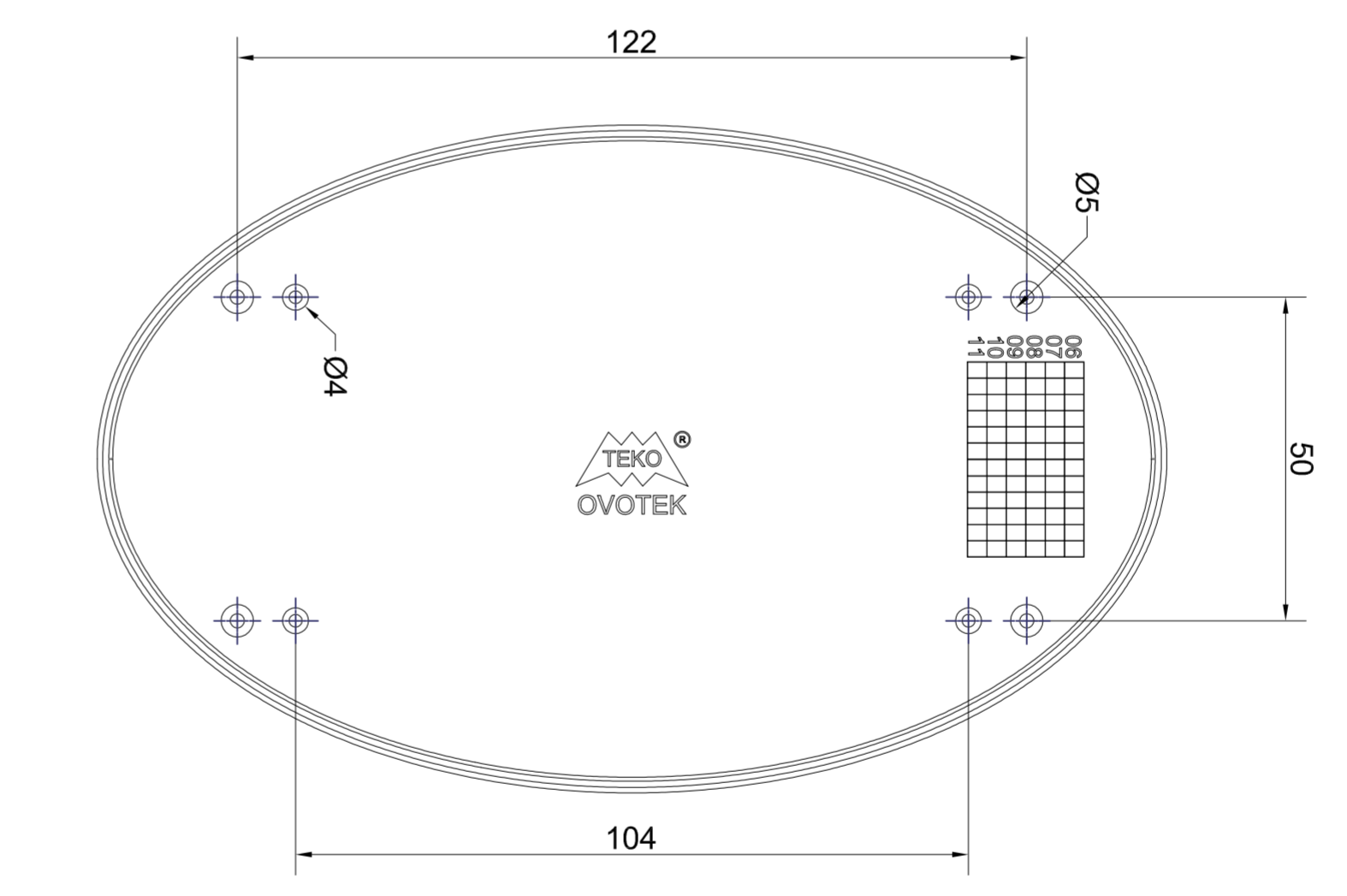
F-F



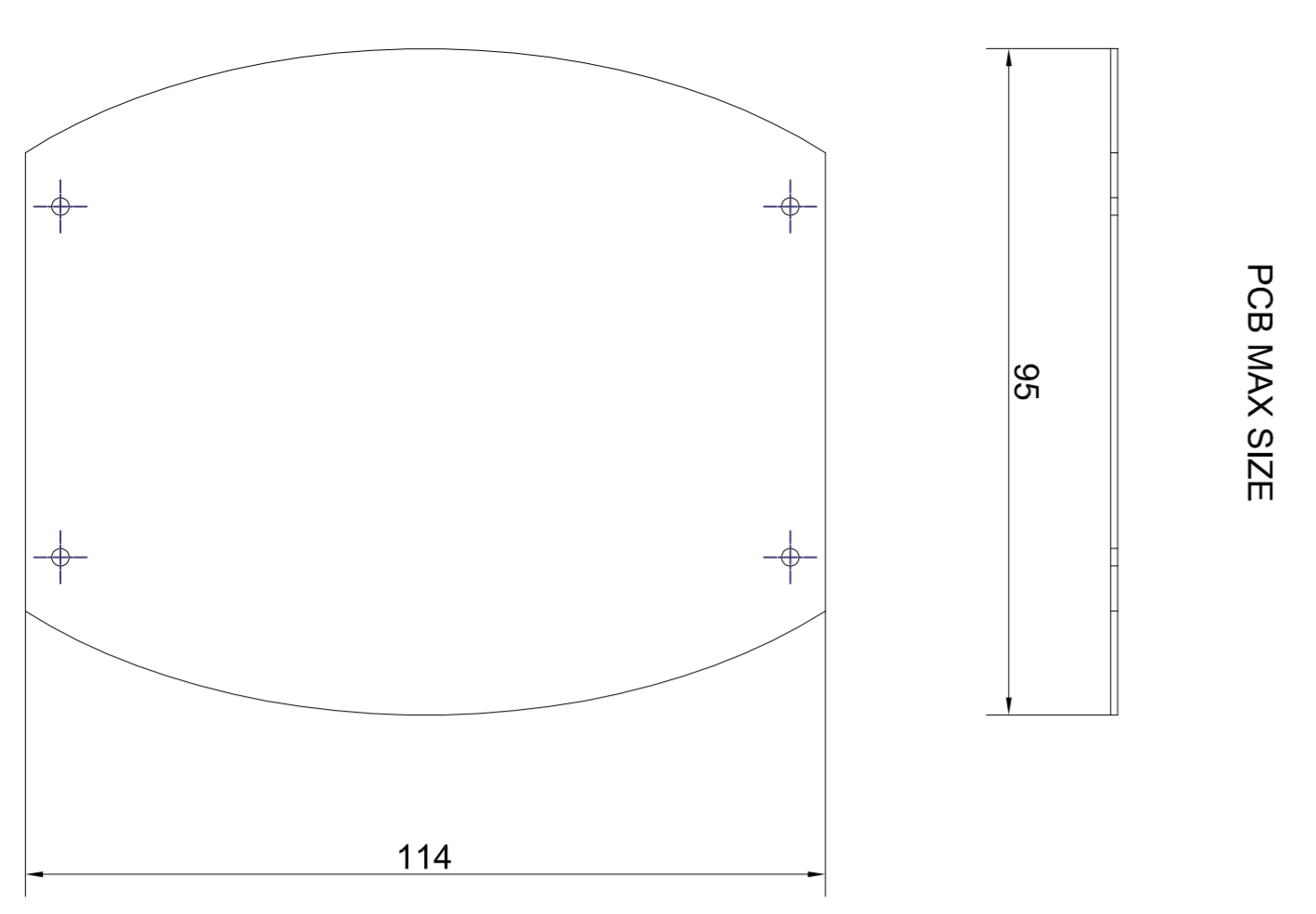
A-A



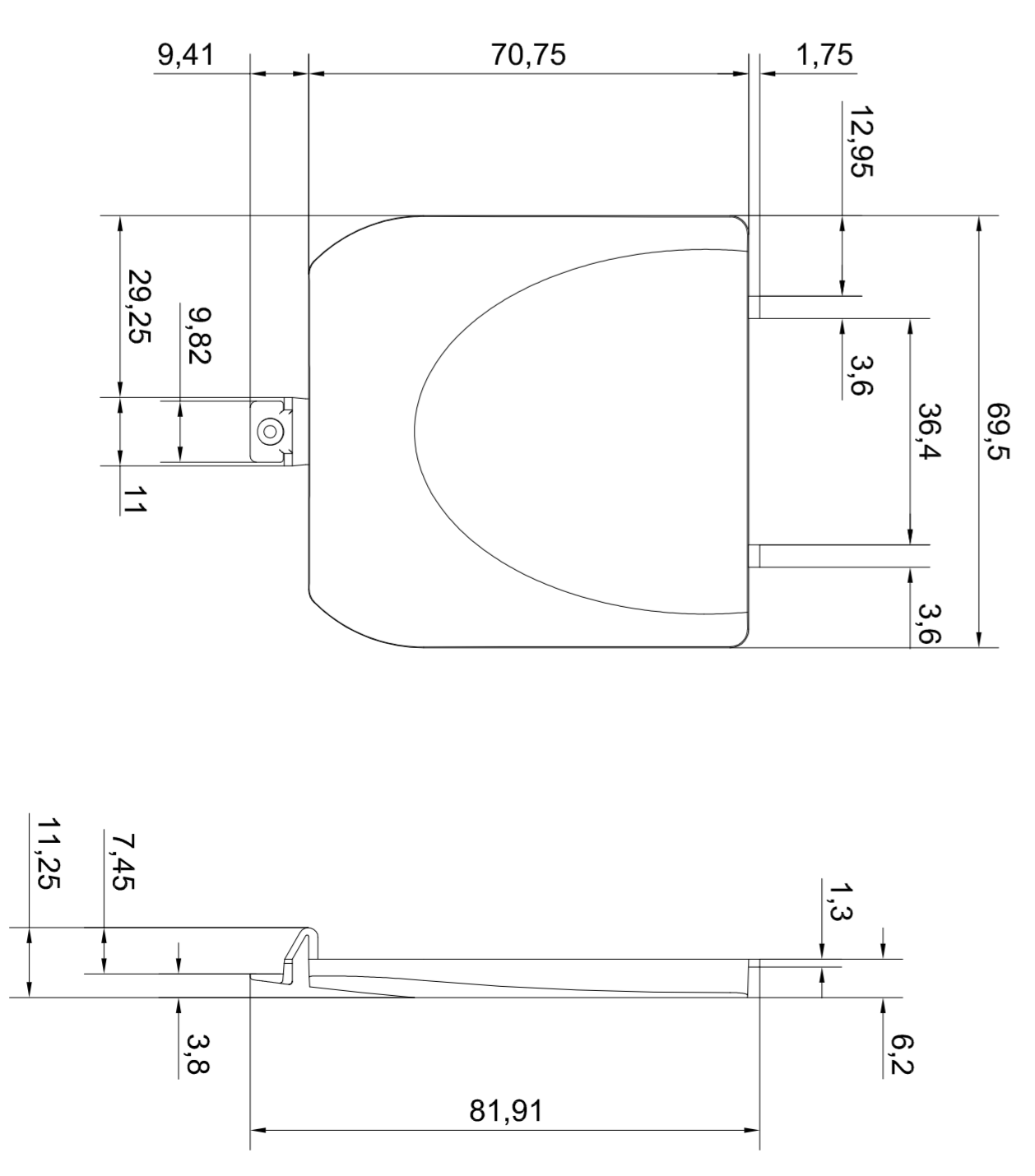
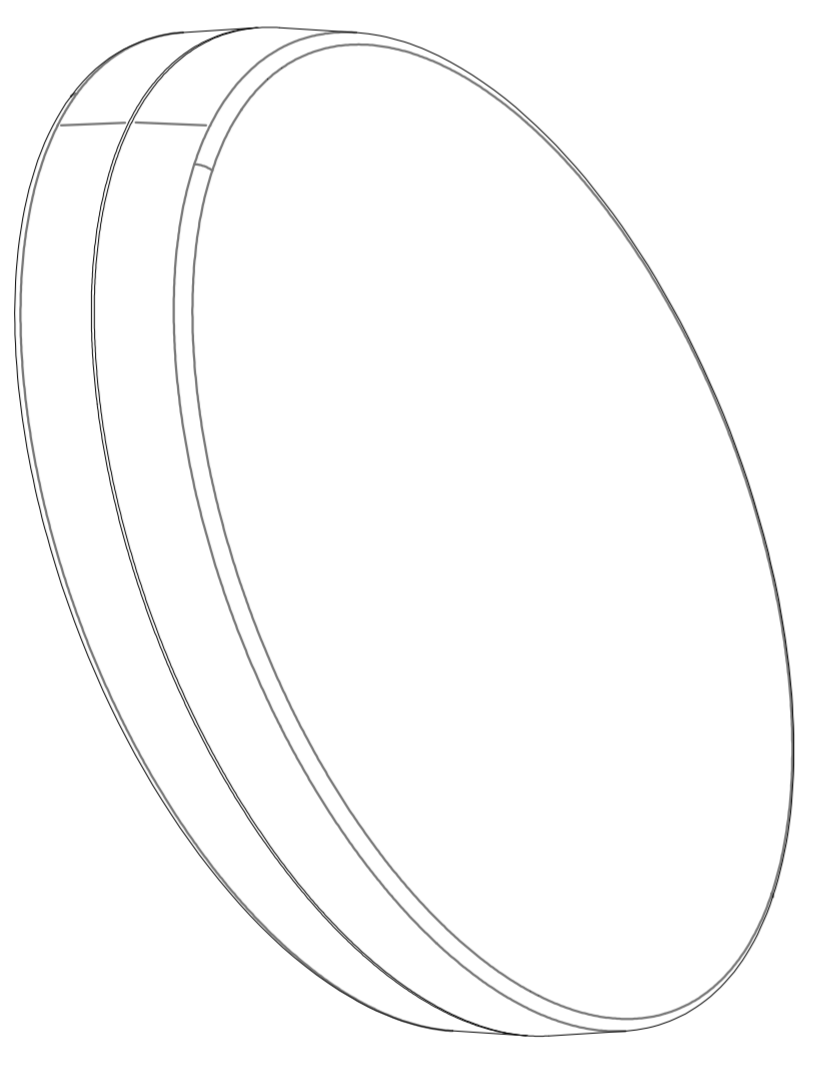
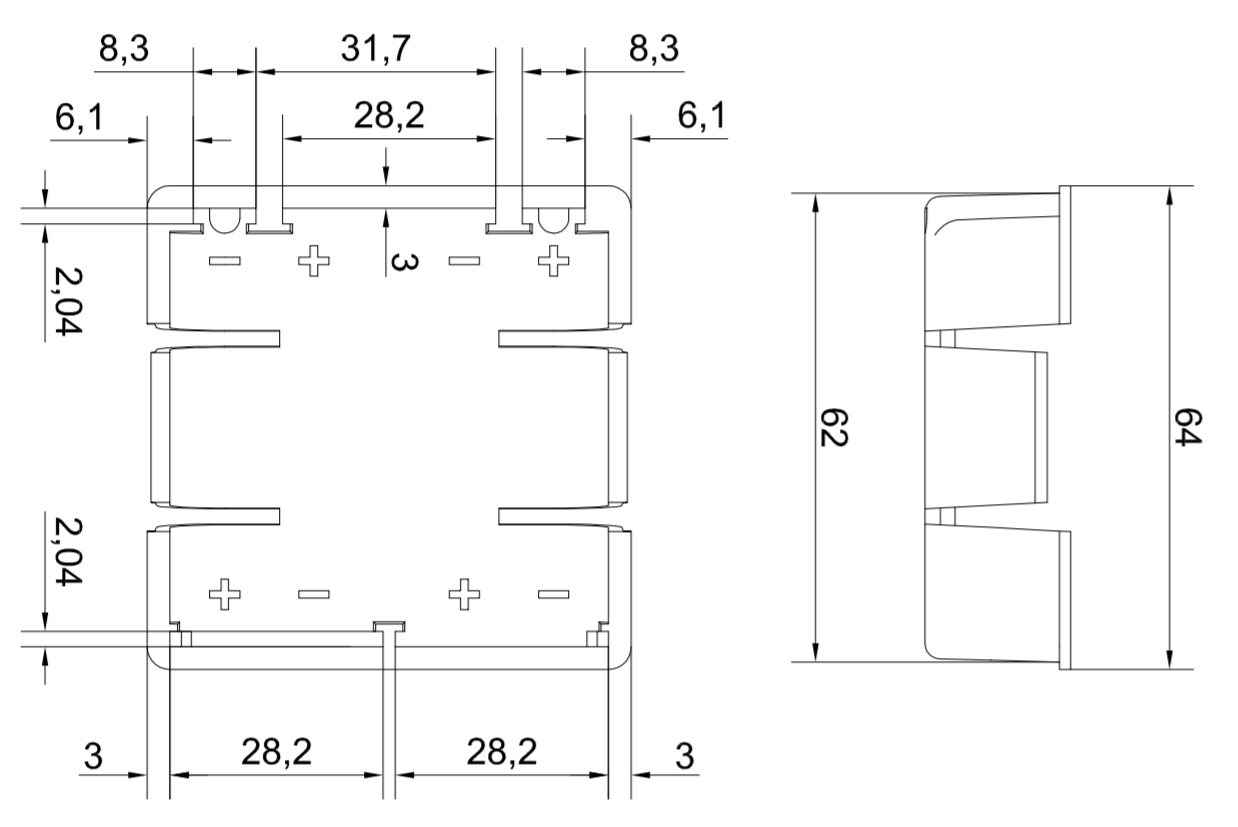
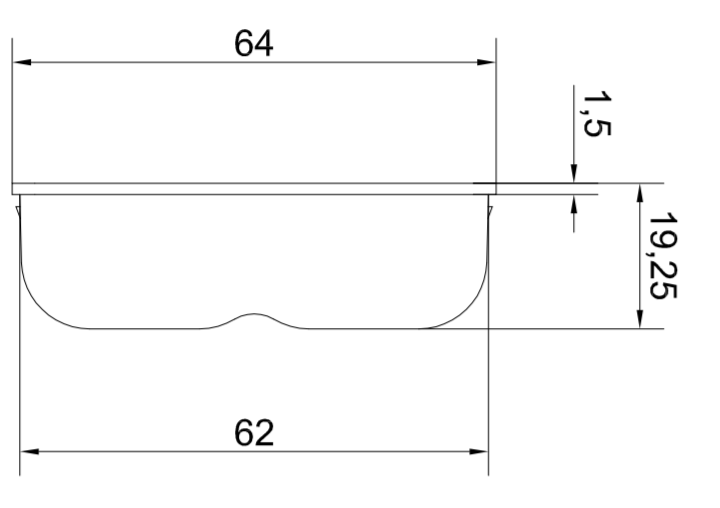
C-C



E-E



PCB MAX SIZE



	<p>Subjeto a modificaciones sin previo aviso. Todos los precios son estimados. All dimensions should be verified using an actual moulded part. This drawing is for reference only. It is not to be reproduced or copied without the prior written consent of TEKO S.p.A. and its reproduction or copying the conditions that the information be retained in confidence and not be used or incorporated in any product.</p>	<p>Part Number</p> <p>Assembly OK1-B2</p>	<p>Rev. Index</p> <p>OK1-B2</p>	<p>Scale</p> <p>1:1</p>
	<p>Date</p> <p>11/01/2006</p>	<p>Forma del dibujo</p> <p>A1</p>		