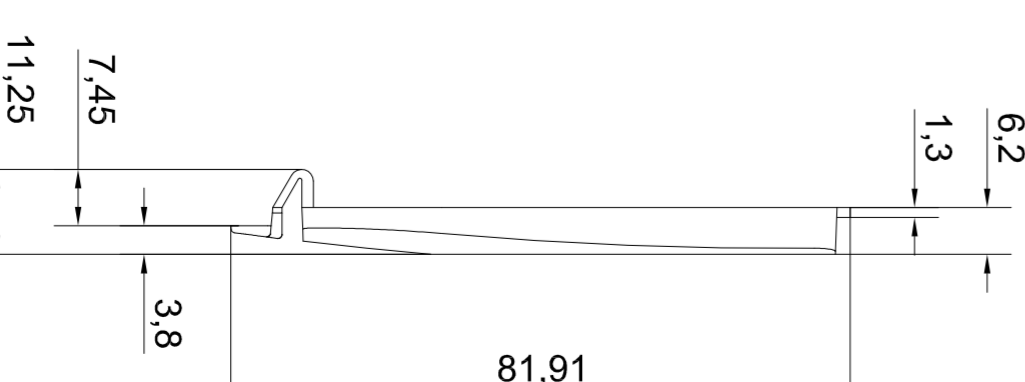
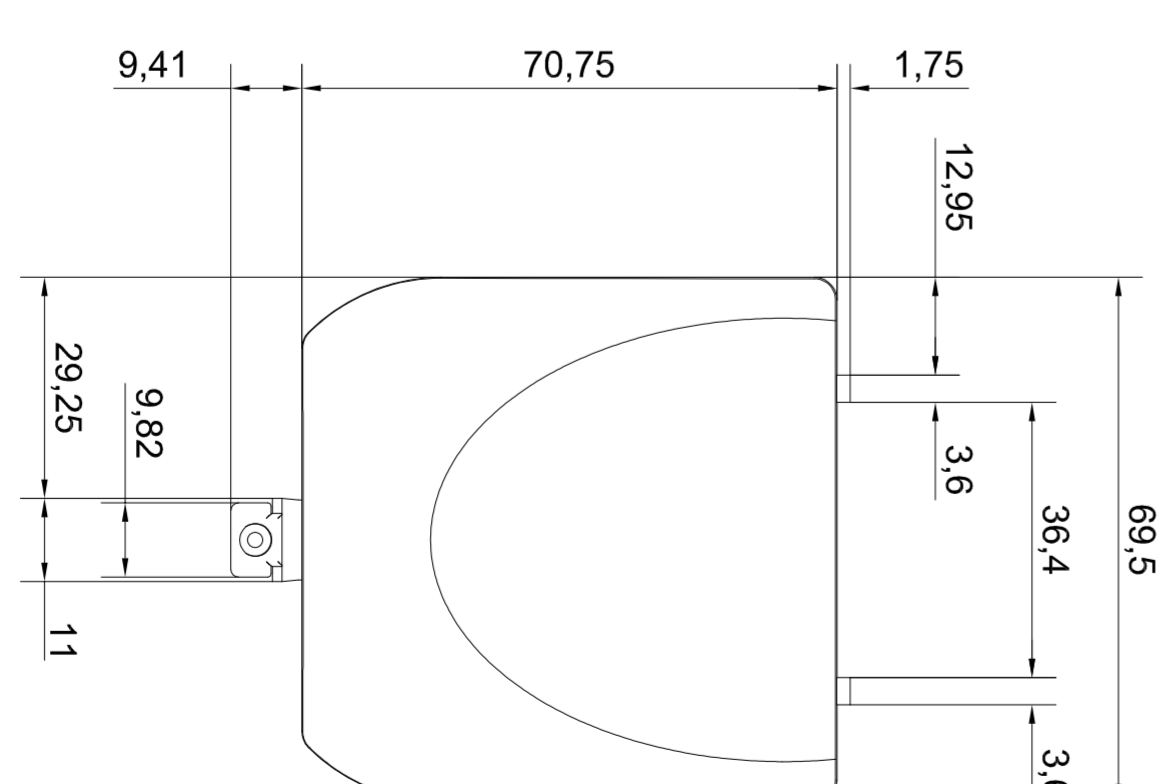
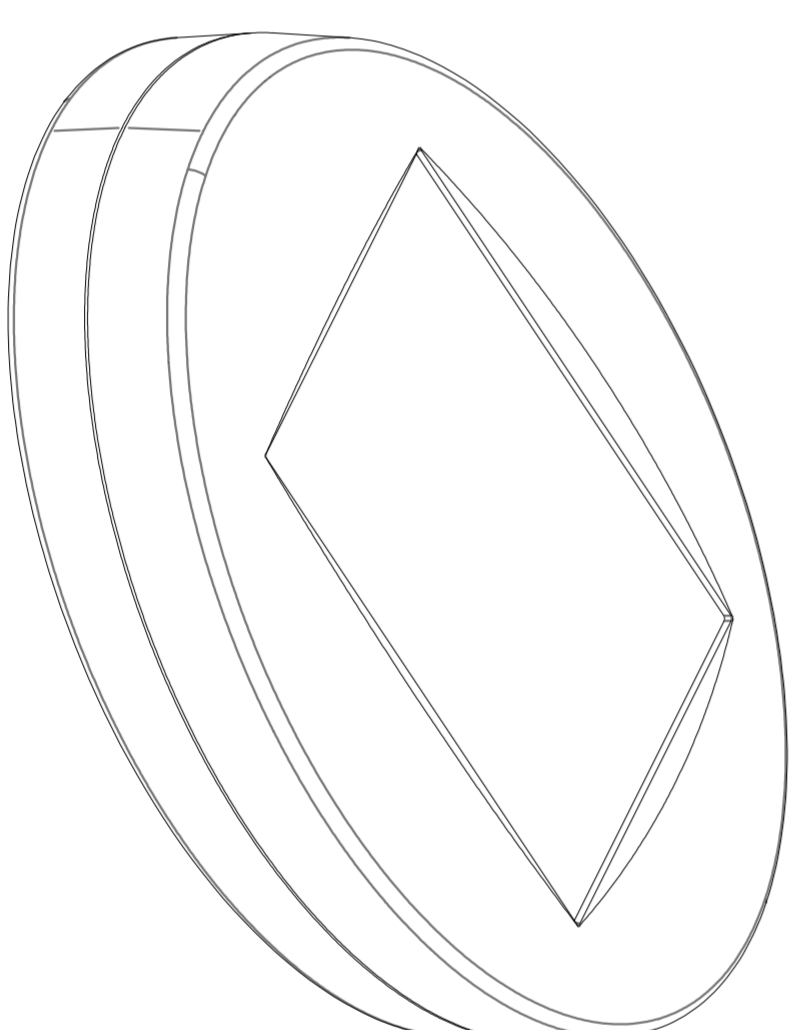
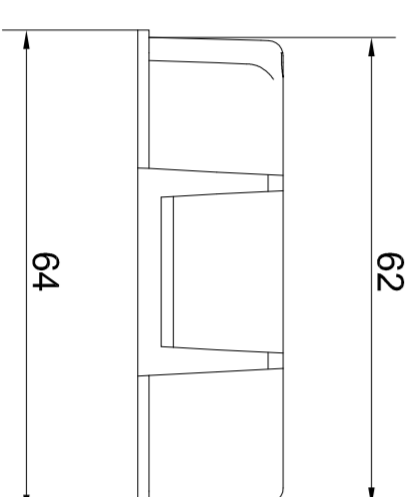
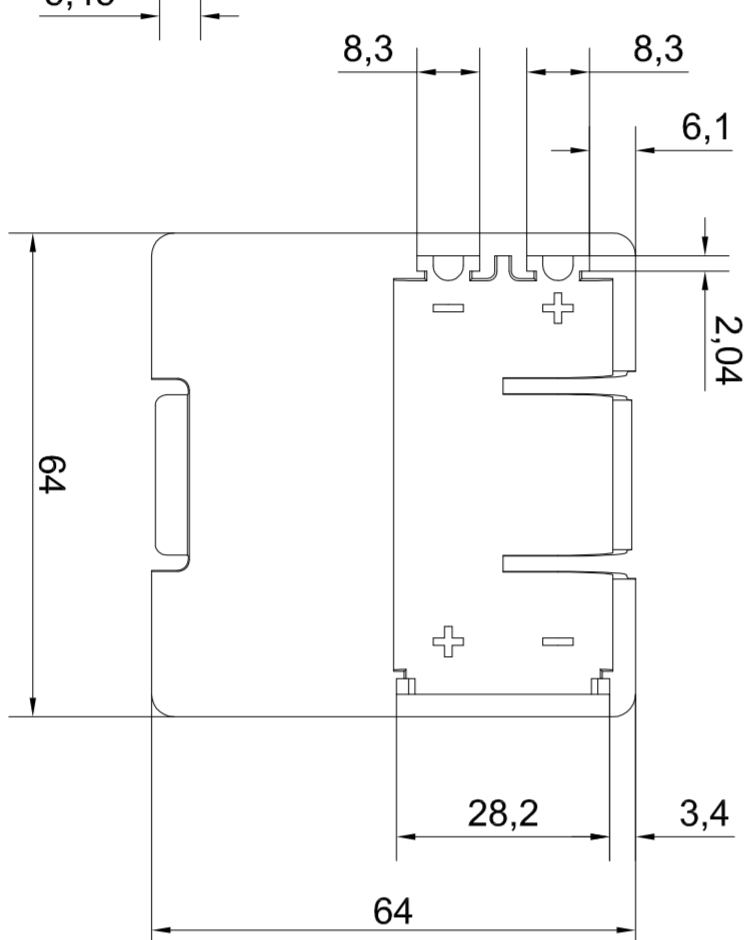
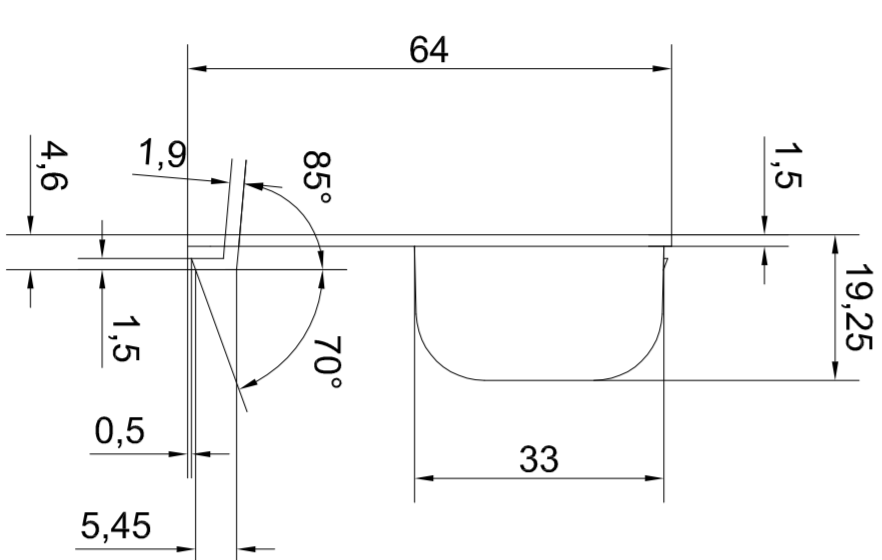
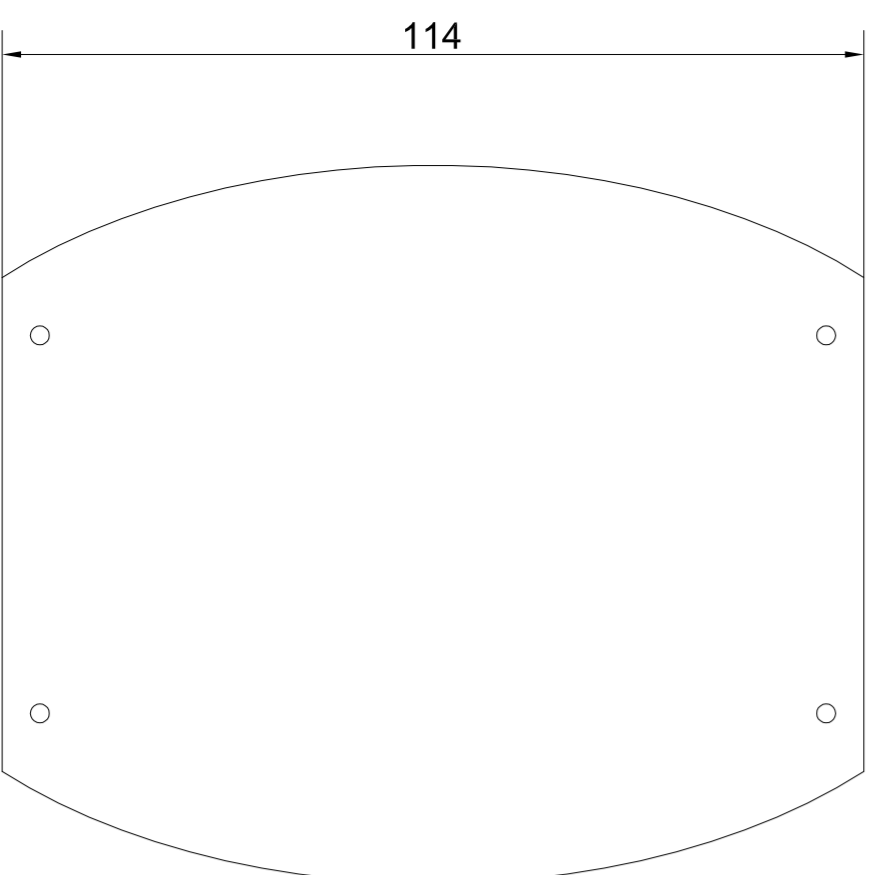


PCB MAX SIZE



		<b>Assembly OK2-B</b>	
Part Number	Rev. Index	Scale	Form/Design
OK2-B		1:1	A1
<small>           Subjected to technical modification without prior notice.            The appearance and dimensions of the enclosure are subject to change without notice.            All dimensions should be verified using an actual moulded part.            This drawing is for reference only. It is not to be used for reproduction or copying.            The conditions that the information be retained in confidence and not be reproduced or copied            and not be used or incorporated in any product.         </small>			
11/01/2006			