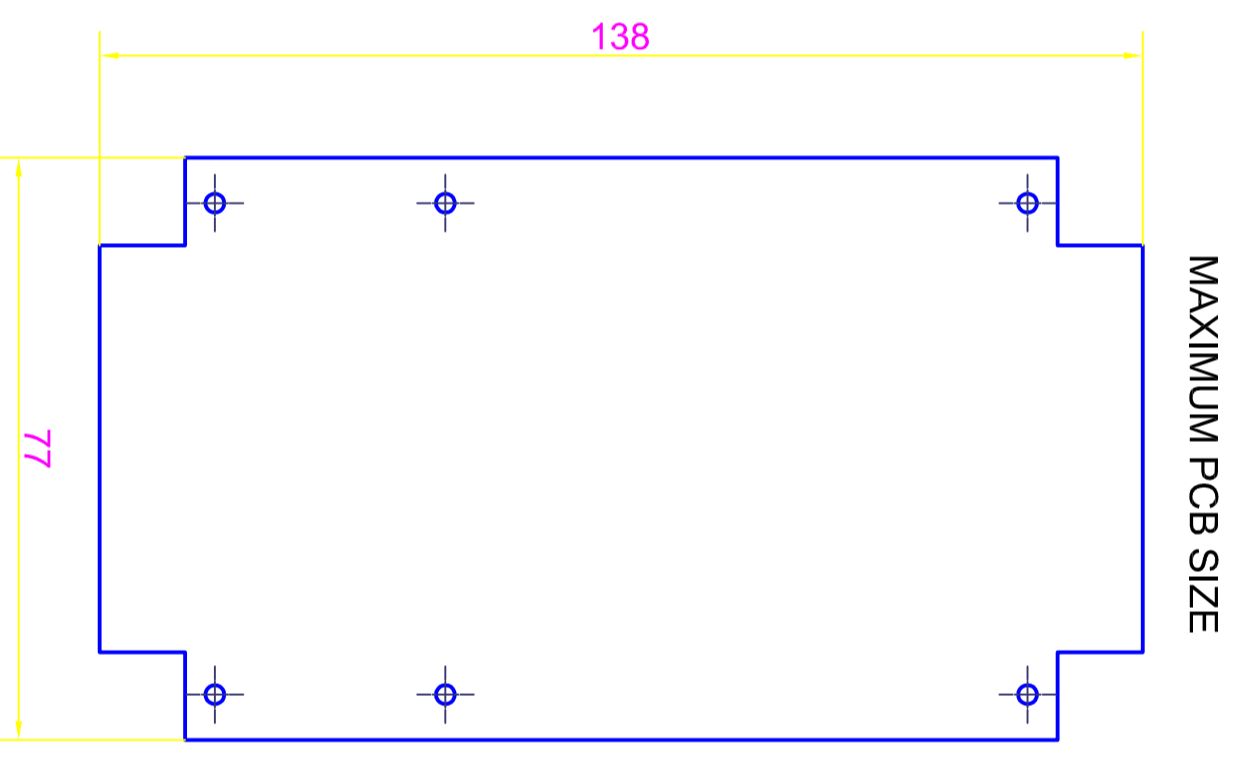
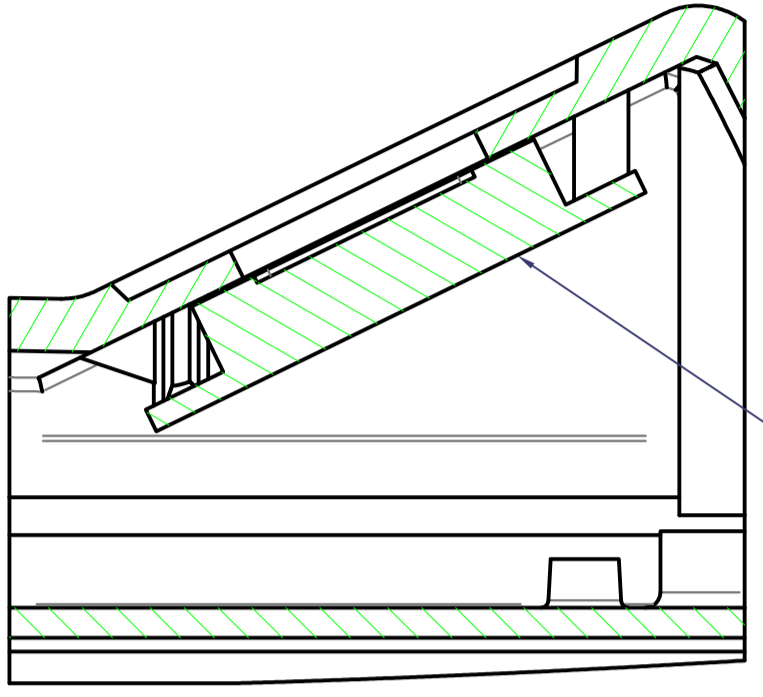
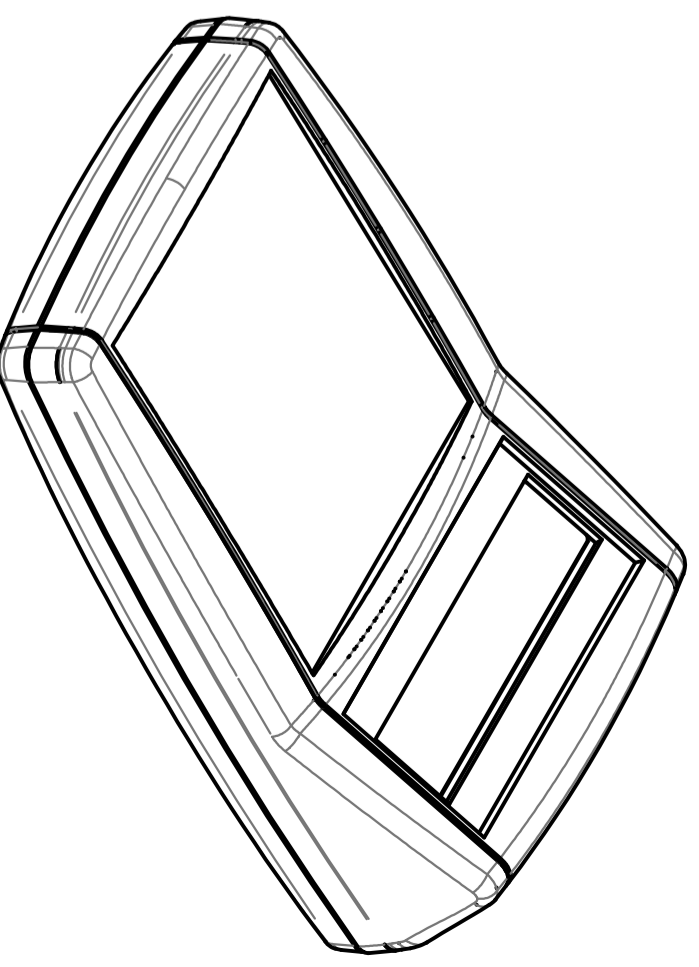
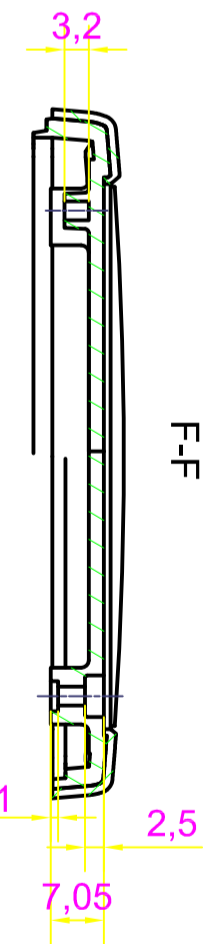

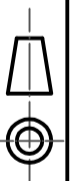


H-H (2:1)
Display tipo WG14432B



MAXIMUM PCB SIZE



 ENCLOSURES	<small>Denomination</small> Assembly TNP21		<small>Part. Number</small> TNP21	
	<small>Subject to technical modification without prior notice. Tipographical and other errors do not justify any claim for damages. All dimensions should be verified using an actual moulded part.</small> <small>This document contains proprietary information of TEKO S.p.A. and its rendered subject to the conditions that the information be retained in confidence and not be reproduced or copied and not be used or incorporated in any product.</small>		<small>Rev. Index</small> 1:1	<small>Scale</small> 1:1
	<small>Date</small> 24/09/2008	<small>Format/drawing</small> A2		